

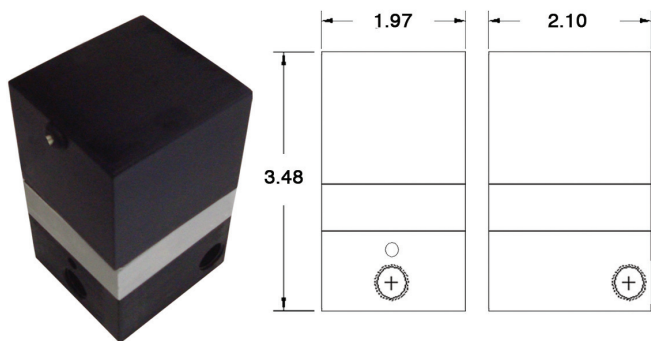


High Speed Proportional Valve

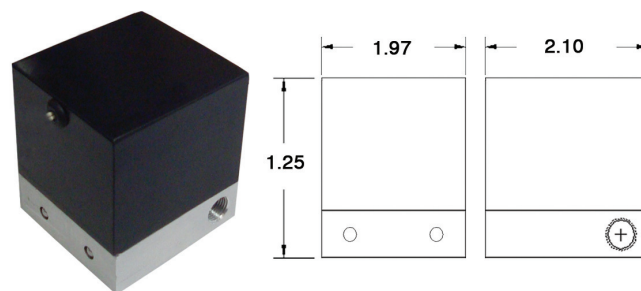
Kelly Pneumatics, Inc. offers the High Speed Proportional Valve, which is remarkable in the virtually immediate response time of 2 milliseconds (full span). An optional version also includes a built-in regulator for incoming pressure, which automatically adjusts a dynamic inlet pressure to maintain consistent outlet flow rates. Additionally, these high speed valves may include a built in amplifier board - the Valve Driver Board - which allows control via an analog input voltage.

- Valve Type:** 2-way Normally Closed
- Medium:** Air, Water, other Gases and Liquids
- Temperature Range:** 32-120°F (0-50°C)
- Response Time:** 1-2 MS
- Power Consumption:** 7.0 watts at 23°C, 5.3 watts max
- Power Supply:** 0-5, 0-10, or 0-20 VDC (without driver board);
12 or 24 VDC (with driver board)
- Input Voltage:** 0-5 VDC, 0-10 VDC, or 4-20MA (with drive board only)
- Working Pressure:** 25, 50, or 100 PSIG
- Turn Down Ratio:** 20,000 to 1
- Flow Range:** 0-170 SLPM for air
- Ports:** 1/4 or 1/8 inch FPT
- Seal Material:** Buna-N, Viton, or EPDM

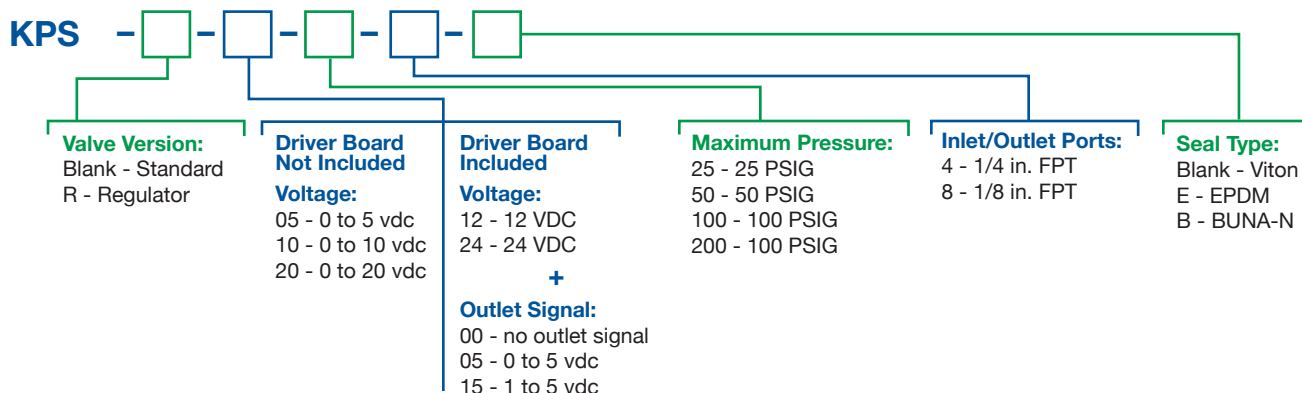
Standard Version



Regulator Version



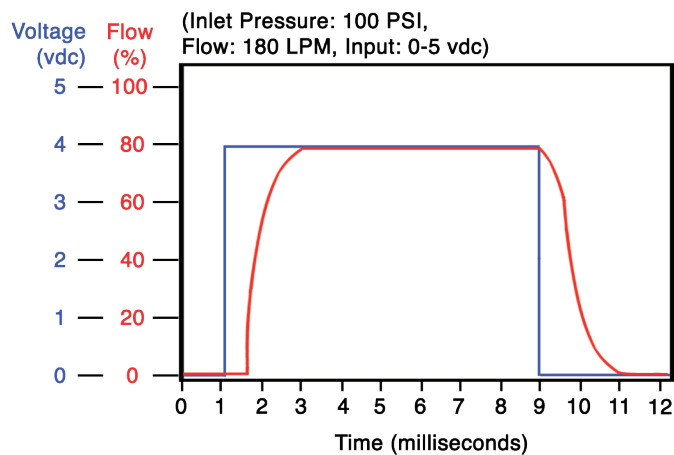
Part Numbering System



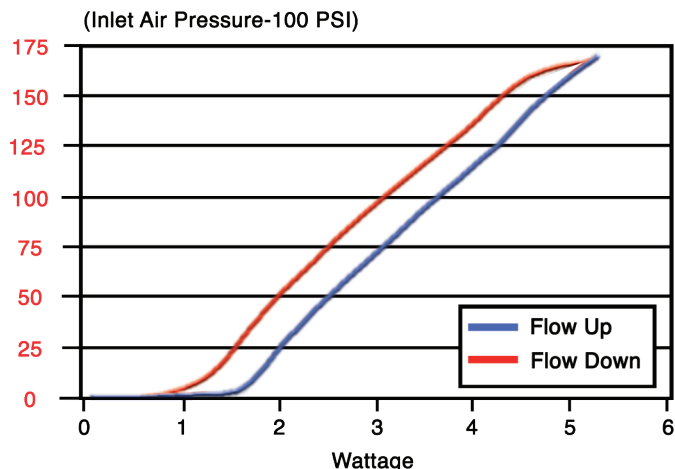


High Speed Proportional Valve

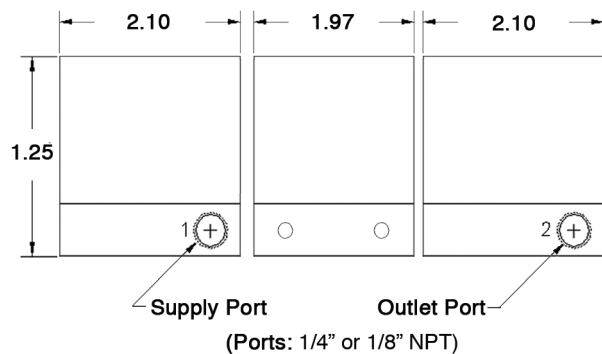
Typical Performance Curve



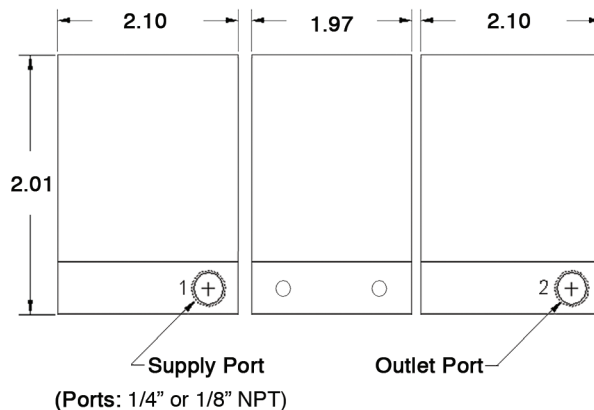
Response Time Graph



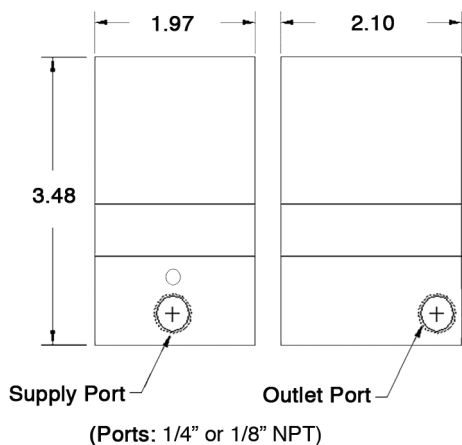
Standard Versin Dimensions



Standard Version Dimensions with driver board



Regulator Version Dimensions



Regulator Version Dimensions with driver board

