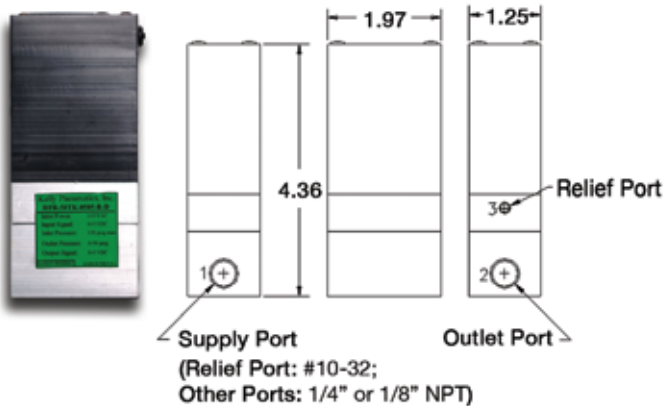


High Flow Pressure Regulator

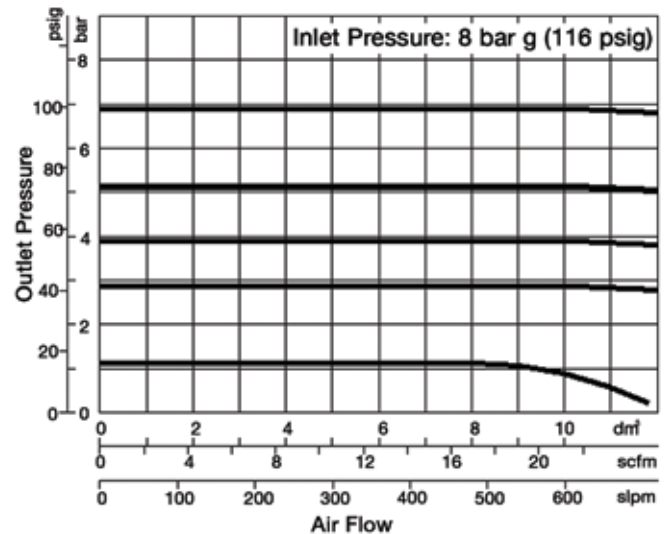


Internal Transducer Version

Mediums: Air, Non-Corrosive Gases

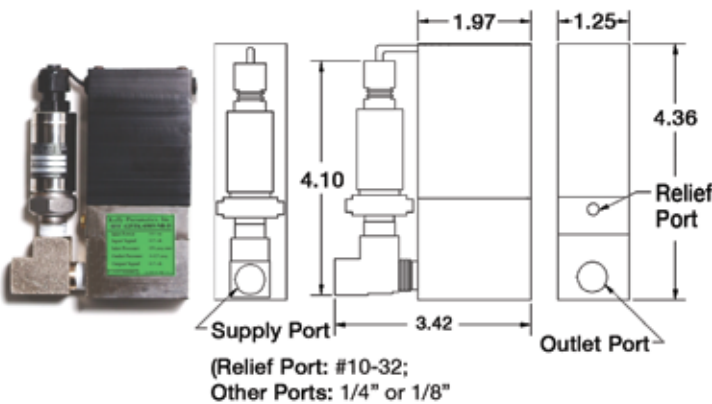


Typical Performance Characteristics



External Transducer Version

Mediums: Air, Non-Corrosive Gases



Pressure Range: 0-98 PSI,

0 to -14.7 PSI (Vacuum)

Valve Type: Relieving or Non-Relieving

Medium: Air, Nitrogen, Helium, Water,
Gasoline, other mediums

Pressure Accuracy: +/- 2% or less (Full Span)

Linearity: <+/- 1% or less (Full Span)

Response Time: < 250 milliseconds (Mid Span)

Maximum Flow: 790 slpm of Air

Connections: 1/8" or 1/4" FPT

Supply and Outlet Ports,
#10-32 Female Exhaust Port (if applicable)

Weight: 320 grams or .70 pounds

Power Required: 12 and 24 VDC +/- 10%,
or 110 VAC adapter included
with Turnkey version

Input Signal: 0-5, 1-5, 1-9, 1-10, 0-10
VDC, or 4-20 milliamps
Internal: Adj. Potentiometer

Output Signal: 0-5 or 1-5 VDC

Operating Temp: 0-150 °F or 0-65 °C

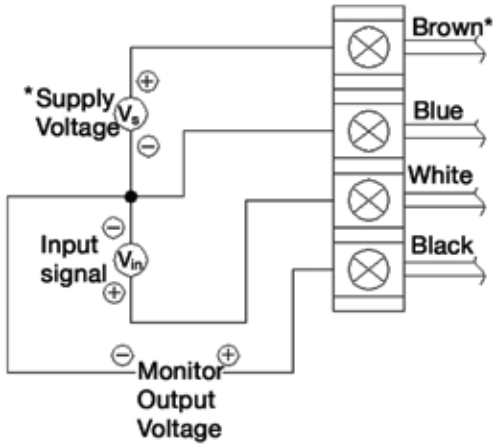
Kelly Pneumatics, Inc. offers reduced cost, proportional valve design Precision Pressure and Flow Controllers with PID control circuitry. Using either an externally supplied dynamic/static input signal or an onboard adjustable set-point value, these products provide exceptional closed-loop, proportional, output pressure control characteristics. By utilizing precision, proportional valve technology, each Precision Pressure and Flow Controller performs with excellent resolution and consistency.

The Precision Pressure and Flow Controller product

High Flow Pressure Regulator



Wiring Diagram



Wiring Description

Terminal No.	1*	2	3	4
Lead Wire Color	Brown	White	Blue	Black
Wiring	Power Supply	Input Signal	Common (Ground)	Output Signal

* Omitted with Turnkey Version

Part Numbering System

HFR - [] - * - [] - **

* If both options are 00 leave blank & remove preceding dash
 ** One or more options can be chosen, with each corresponding number added after final dash

Pressure Range:

- 100 - 0 to 100 psig
- 50 - 0 to 50 psig
- 25 - 0 to 25 psig
- 15 - 0 to 15 psig
- N14 - 0 to -14.7 psig

+

Power Supply:

- TK - Turnkey (supplied)
- 12 - Wire Leads, 12 volt
- 24 - Wire Leads, 24 volt

Inlet Signal:

- 00 - no inlet signal
- 05 - 0 to 5 vdc
- 15 - 1 to 5 vdc
- 19 - 1 to 9 vdc
- 010 - 0 to 10 vdc
- 110 - 1 to 10 vdc
- 420 - 4 to 20 ma

+

Outlet Signal:

- 00 - no outlet signal
- 05 - 0 to 5 vdc
- 15 - 1 to 5 vdc

Regulator Type:

- R - Relieving
- NR - Non-Relieving

+

Inlet/Outlet Ports:

- Blank - 1/4 inch FPT
- 8 - 1/8 inch FPT

Transducer Options:

- Blank - Internal Version
- E - External Version

+

Additional Options:

- Blank - None
- G - Pressure Gauge
- F - Filter